

Technical Proposal

for supplying string box to SICES



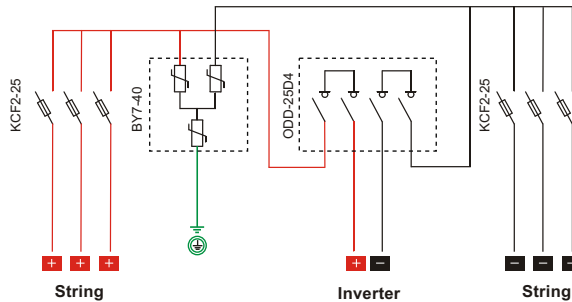
Item 3.

String box for 3 input 1 output with fuse on positive and negative



Consists of:

- 1) Enclosure: 13 modules IP65 – 1PC
- 2) SPD: 40kA, 3pole, 1000V DC – 1PC
- 3) DC switch dis–connector: 4pole, 32A, 1000VDC – 1PC
- 4) Fuse & Holder: 15A, 1000V DC – 6PCS
- 5) Including cable grand for cable entry connection
- 6) Pre–wired with 6mm PV cable



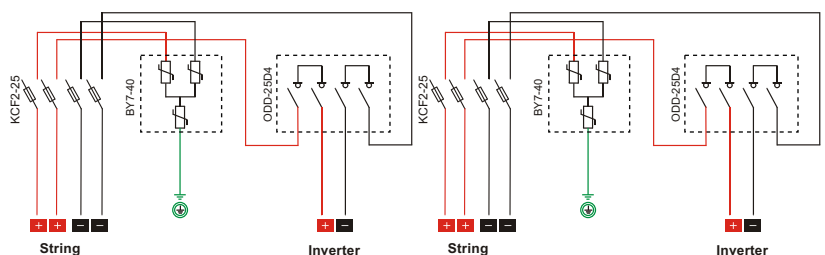
Item 4.

String box for 4 input 2 output with fuse on positive and negative



Consists of:

- 1) Enclosure: 26 modules IP65 – 1PC
- 2) SPD: 40kA, 3pole, 1000V DC – 2PCS
- 3) DC switch dis–connector: 4pole, 25A, 1000VDC – 2PCS
- 4) Fuse & Holder: 2P, 15A, 1000V DC – 4PCS
- 5) Including cable grand for cable entry connection
- 6) Pre–wired with 6mm PV cable



MPPT 1

MPPT 2

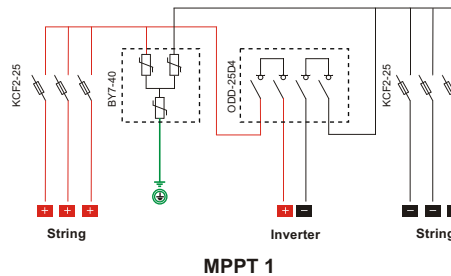
Item 5.

String box for 6 input 2output with fuse on positive and negative

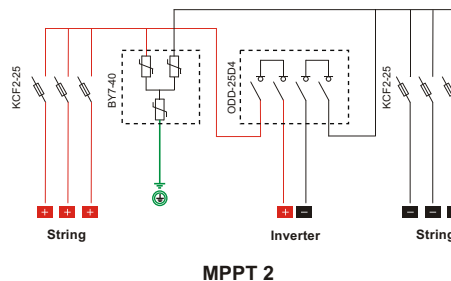


Consists of:

- 1) Enclosure: 26 modules IP65 – 1PC
- 2) SPD: 40kA, 3pole, 1000V DC – 2PCS
- 3) DC switch dis–connector: 4pole, 32A, 1000V DC – 2PCS
- 4) Fuse & Holder: 15A, 1000V DC – 12PCS
- 5) Including cable grand for cable entry connection
- 6) Pre–wired with 6mm PV cable



MPPT 1



MPPT 2